



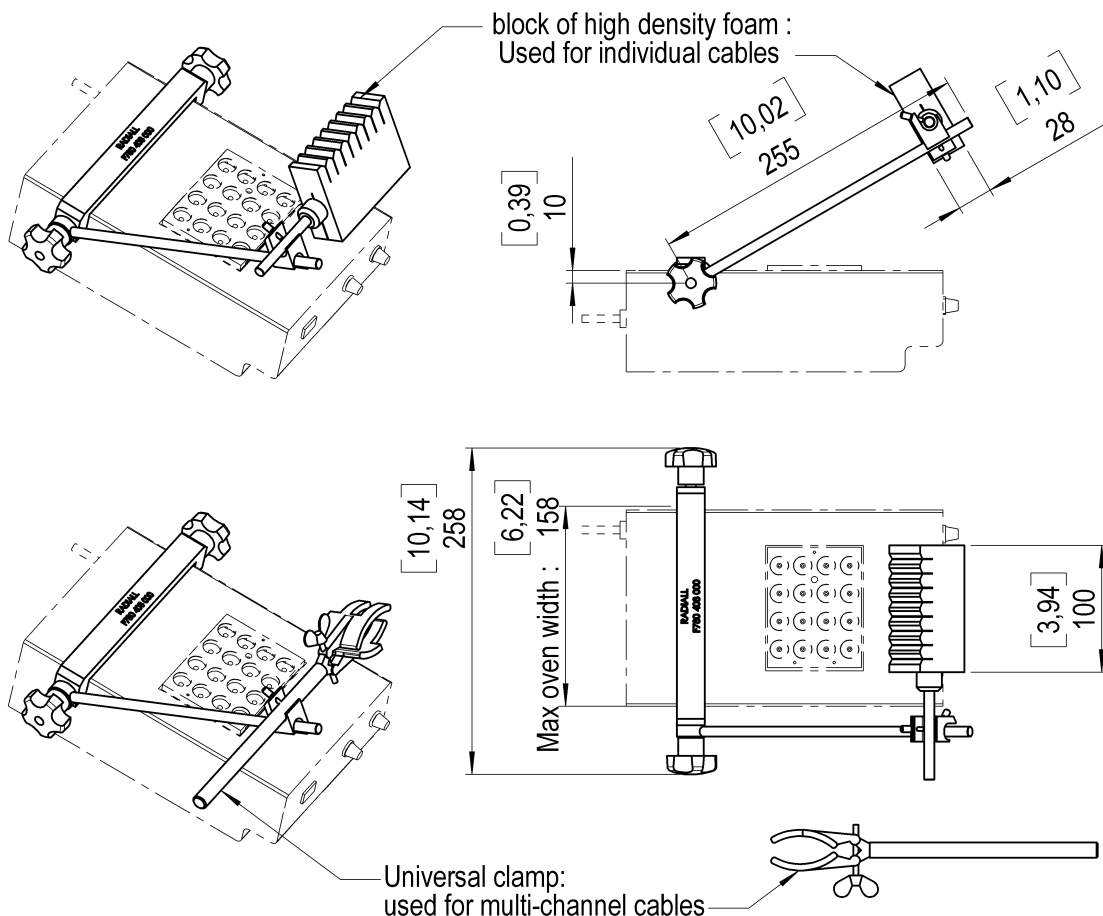
Title: CABLE HOLDER FOR HEAT CURE OVEN

Series  
TOOL

Issue  
Oct 14, 2004

Page  
1/1

Original dimensions in [inch]  
mm



GENERAL

This cable holder for heat cure oven is delivered with 2 accessories :

- A block of foam which enables to hold several cables.
- An universal clamp which enables to hold a multi-way cable.

CREATION N°: PEN/EP : EPF 0203 Name: DESPINASSE Date: 10/14/04 Appr.: GM					<b>RADIALL®</b> 101, rue P. Hoffmann 93116 ROSNY/BOIS FRANCE Tel : (33) 0149353535 Fax : (33) 0148546363
	Issue	Revisions	Name	Appr.	